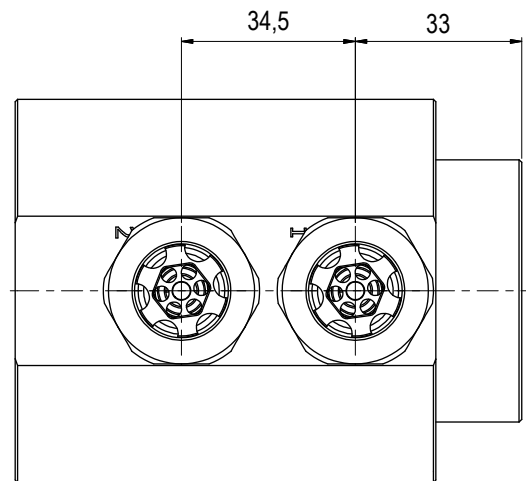
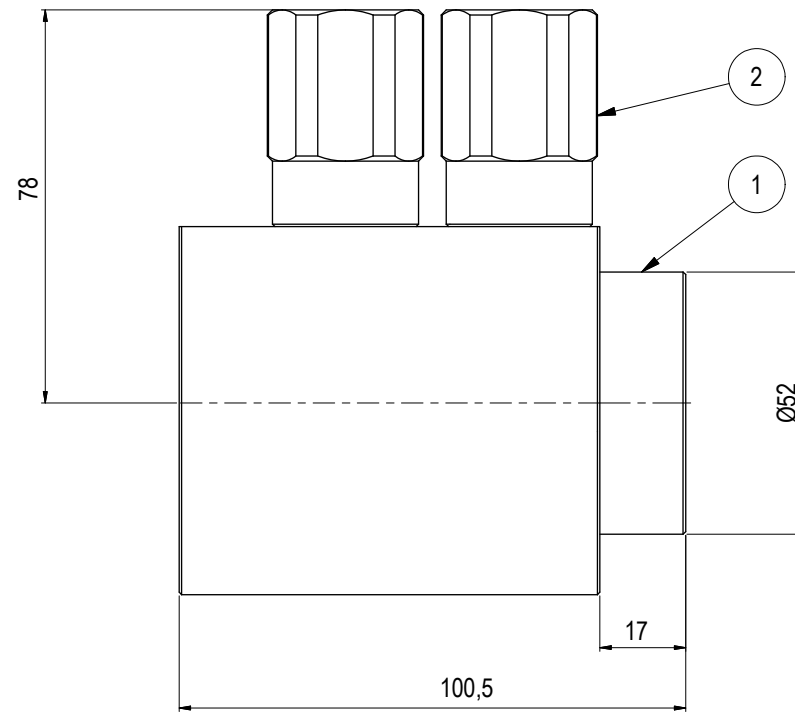
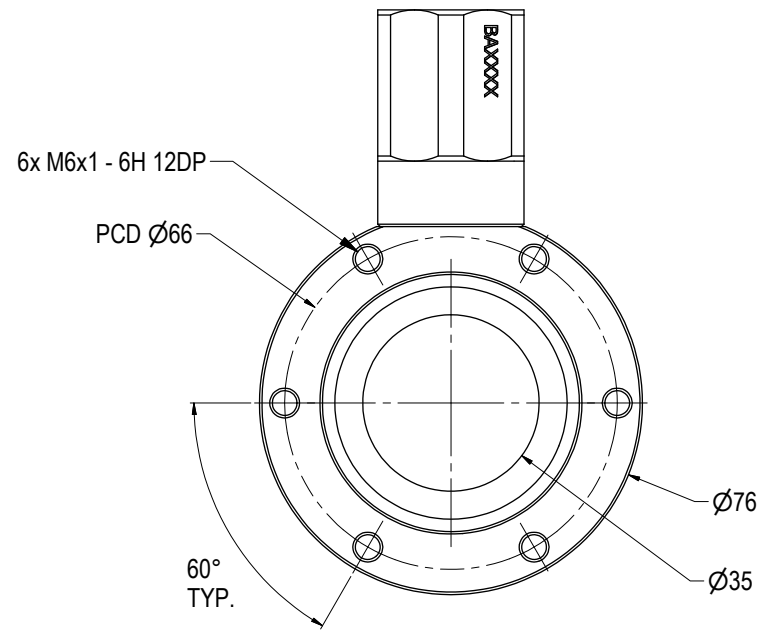


Parts List			
ITEM	QTY	PART No.	TITLE
1	1	PA0174	Ø35 DP Rec 10k Interv BSP 1/2" ID8mm
2	2	PA0088	2-Way Check Valves 10k Interv BSP 1/2" - 2,0-0,5 Bar FM-M



NOTE: 1
DESIGN CODE:
API 17H/6A

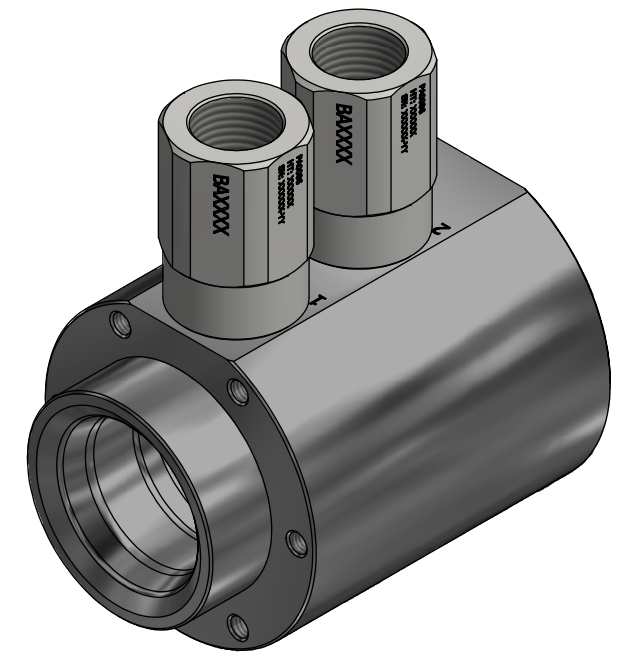
NOTE: 2
TECHNICAL CLASSIFICATION:
Article Type: 001-Hot Stabs
Main Group: 1.01. Ø35 Hot Stab
Intermediate Group: 1.1.02. Receptacle
Sub Group: 1.1.2.02. Dual

NOTE: 3
INTERFACE INFORMATION:
Pressure Rating Bar: 690
Design Water Depth: N/A
Material: Intervention
Weight: 2,7 kg
Volume: 0,34 dm³
Submerged Weight: 2,32 kg
Surface Area: 729 cm²
Hydraulic: BSP 1/2"
Mechanical: 6xM6@PCD 66
Electrical: N/A
Com. & Protocol: N/A

NOTE: 4
SPAREPARTS:
BA5287

NOTE: 5
ADDITIONAL INFORMATION:
The Ø35mm Blue Logic Hot Stab is made according to API 17H. This Hot Stab is in general designed for flow up to approx 25 liters pr. minute. We have pressure rating up to PSI 20K or 1380 Bar. The Hot Stab system can also be fitted with an lock-system.

Other hydraulic port interface can be delivered on customers request.



05	2.10.2025	9-IFU (Issued for Use)		WTJ	HNJ	WTJ
04	25.4.2014	9-IFU (Issued for Use)		WTJ	HNJ	WTJ
03	6.5.2013	7-IFC (Issued for Construction)		LAE	HNJ	LAE
02	22.2.2012	Issued for Information		LGH	NA	NA
Rev.	Date	Reason for issue	Revision change	Made	Chk'd	Appr.



Dwg Scale:
NTS
Dwg Proj:
Dwg Format:
A3

Drawing title:
Ø35 DP Rec 10k Interv wCV BSP 1/2" ID8mm

Drawing number:
BA1043

Rev.
05